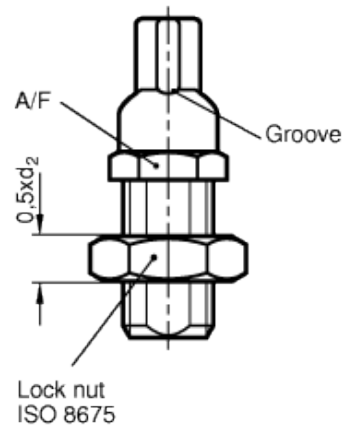
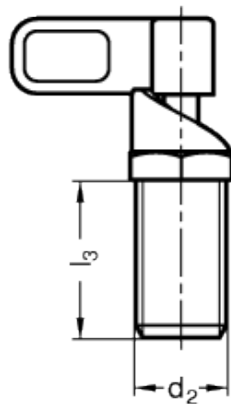
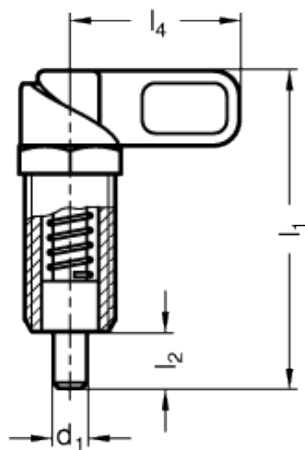


# GN 612.8

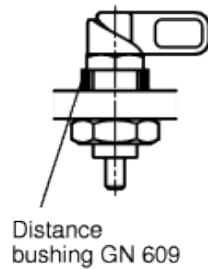
Lever indexing plungers with rest position



Plunger retracted



## Mounting information



Distance bushing GN 609



technical informations

**Threaded body**

Zinc alloy die-cast, corrosion-resistant ZNDG Pass. nano®-coating, anthracite coloured.

**Plunger**

Steel zinc-plated, blue passivated.  
Suggested matching hole with tolerance +0.1/+0.5.

### Lever

Polyamide based (PA) technopolymer, black colour, matte finish, not removable.

### Standard versions available

- Type A: without locking nut.
- Type AK: with locking nut, ISO 8675.

### Features and applications

Cam action indexing plungers GN 612.8 are used in cases where the locking pin must not protrude all the time. By rotating the lock through 180° the locking pin withdraws itself. The notch allows safe positioning.

These cam action indexing plungers made of zinc die casting are very reasonably priced design versions.

Standard Elements	Main dimensions							Spring pressure in N $\approx$		Weight	
	Description	d <sub>1-0.5</sub>	d <sub>2</sub>	l <sub>1</sub>	l <sub>2</sub>	l <sub>3</sub>	l <sub>4</sub>	A/F	Preload		Max. load
GN 612.8-4-M12x1.5-A	4	M12x1.5	48	8	25	25	13		8	22	49
GN 612.8-5-M12x1.5-A	5	M12x1.5	48	8	25	25	13		8	22	49
GN 612.8-6-M12x1.5-A	6	M12x1.5	48	8	25	25	13		8	22	49
GN 612.8-6-M16x1.5-A	6	M16x1.5	56.5	10	28	30	18		11	30	45
GN 612.8-8-M16x1.5-A	8	M16x1.5	56.5	10	28	30	18		11	30	50
GN 612.8-10-M16x1.5-A	10	M16x1.5	56.5	10	28	30	18		11	30	50
GN 612.8-8-M20x1.5-A	8	M20x1.5	69.5	12	36	37	22		20	56	95
GN 612.8-10-M20x1.5-A	10	M20x1.5	69.5	12	36	37	22		20	56	100
GN 612.8-12-M20x1.5-A	12	M20x1.5	69.5	12	36	37	22		20	56	100
GN 612.8-4-M12x1.5-AK	4	M12x1.5	48	8	25	25	13		8	22	60
GN 612.8-5-M12x1.5-AK	5	M12x1.5	48	8	25	25	13		8	22	60
GN 612.8-6-M12x1.5-AK	6	M12x1.5	48	8	25	25	13		8	22	60
GN 612.8-6-M16x1.5-AK	6	M16x1.5	56.5	10	28	30	18		11	30	65
GN 612.8-8-M16x1.5-AK	8	M16x1.5	56.5	10	28	30	18		11	30	50
GN 612.8-10-M16x1.5-AK	10	M16x1.5	56.5	10	28	30	18		11	30	65
GN 612.8-8-M20x1.5-AK	8	M20x1.5	69.5	12	36	37	22		20	56	130
GN 612.8-10-M20x1.5-AK	10	M20x1.5	69.5	12	36	37	22		20	56	130
GN 612.8-12-M20x1.5-AK	12	M20x1.5	69.5	12	36	37	22		20	56	130



STANDARD MACHINE ELEMENTS WORLDWIDE